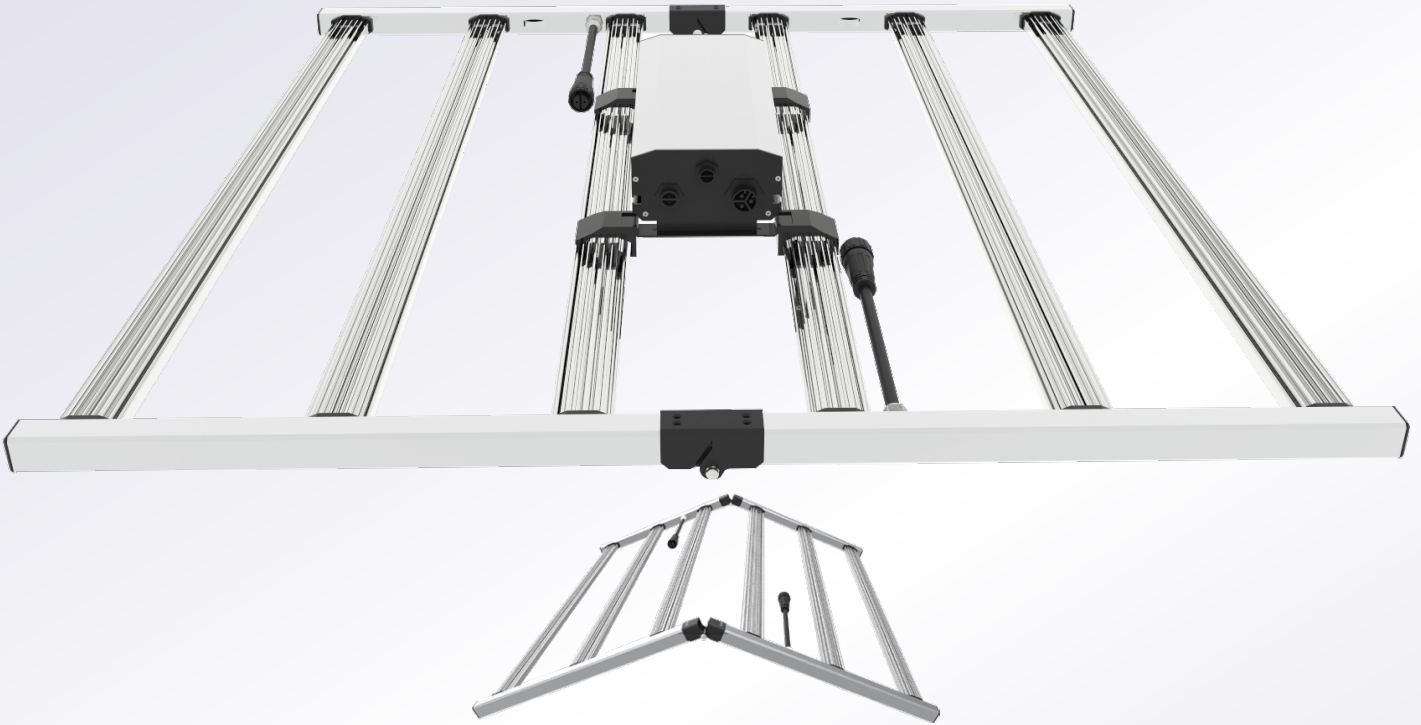


# LED TOP LIGHTING - LMPB1 SERIES

**ML-TYU6600A**



- Full-spectrum light output
- DLC/ETL Listed
- High efficiency 2.7  $\mu\text{mol}/\text{j}$
- High output for high intensity
- Ambient temperatures from 0°C (32°F) to 35°C (95°F)

2.7

**$\mu\text{mol}/\text{j}$**

full spectrum, efficiency  
up to 2.7 $\mu\text{mol}/\text{j}$ .



**1-100% dimming**

Intelligent control design  
and 0-100% power dimming  
function.



**50000hrs**

Long life time:  
L90:>50000hrs

# ML-TYU6600A

## SPECIFICATIONS

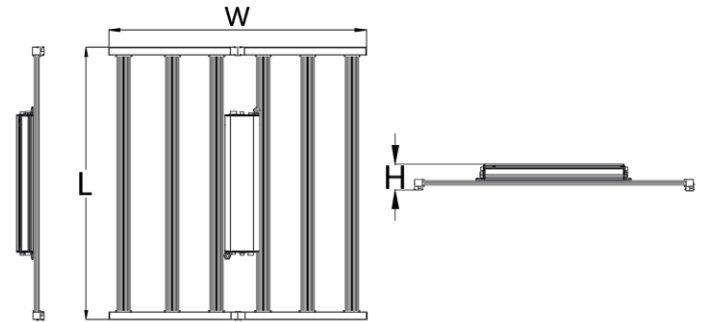
Frequency	50/60Hz
Input Voltage	100~277VAC / 277~480VAC
Current	6.30~2.27A/2.27~1.31A
Power Consumption	630W
Power Factor	>0.9
PPF	1700 $\mu$ mol/s
Efficiency	2.7 $\mu$ mol/j
Ingress protection	IP66
Lifetime	50,000hrs
Warranty	5 years
Operational Phase	Grow and Bloom phase

## UNFOLD DIMENSION

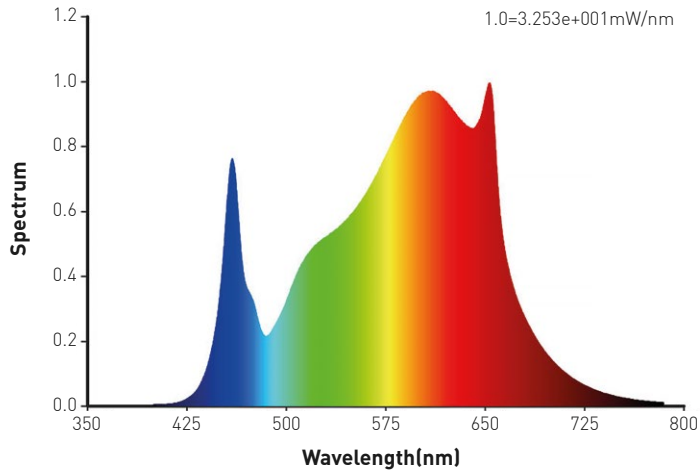
Product Power	Dimensions(mm / in)			Weight (kg / lb)
	L	W	H	
630W	1195/47	1087/42.8	32/1.26	16.5/36.4

## FOLD DIMENSION

Product Power	Dimensions(mm / in)			Weight (kg / lb)
	L	W	H	
630W	1195/47	543.5/21.4	32/1.26	16.5/36.4



## PRODUCT SPECTRUM REPORT:



## Controller



- Suitable for all kinds of Megaphoton fixtures with controller ports.
- Maximum Number of lighting fixtures:500-1000pcs (We have the booster to expand the numbers of lighting fixtures up to 500-1000 pcs).
- Auto-dim at set temperature.
- Auto-shutdown at set temperature.
- Sunrise / sunset period.
- Alarm contracts NO/NC.
- No need for a switchboard.
- Easy and safe installation.
- Protected against short-circuits.
- Double temperature safety features.

